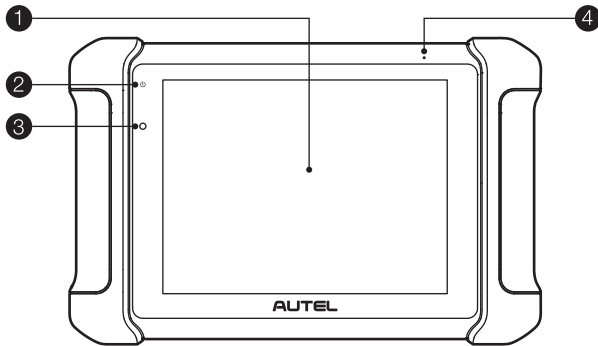
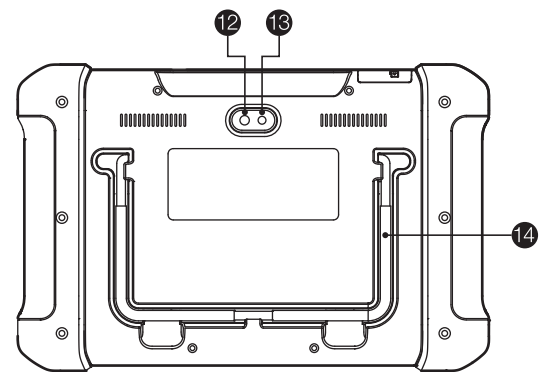
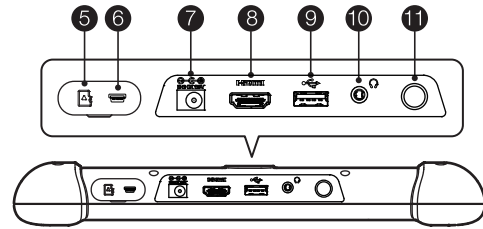


Thank you for purchasing MaxiCOM MK906BT. Manufactured to a high standard, this tool will, if used according to these instructions and properly maintained, give you years of trouble-free performance.

### ◎ MaxiCOM MK906BT Display Tablet

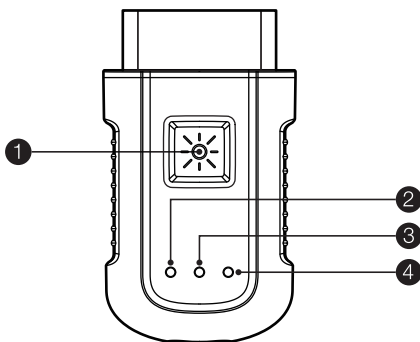


1. 8.0" LED Capacitive Touch Screen
2. Power LED
3. Ambient Light Sensor
4. Microphone

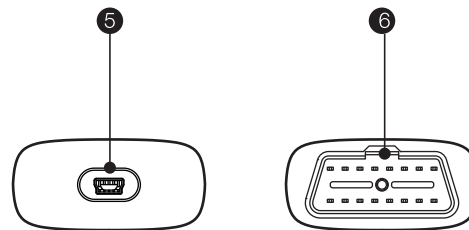


5. Mini SD Card Slot
6. Mini USB OTG Port
7. DC Power Supply Input Port
8. HDMI Port
9. USB Port (for VCI Connection)
10. Headset Jack (3-Band 3.5mm )
11. Lock/Power Button – turns the device on & off with long press, or locks the screen with short press
12. Camera Lens
13. Camera Flash
14. Collapsible Stand – extends from the back to allow hands-free viewing of the Display Tablet at a 30-degree angle

### ◎ VCI (Vehicle Communication Interface) Device – MaxiVCI V100



1. Lighting Push Button – presses to turn on the white LED in the vehicle data connector socket
2. Power LED – indicates power and system status. Illuminates solid green when powered on. Flashes green and amber automatically when performing firmware update. Illuminates red automatically when powered up, and flashes red when system failure occurs.

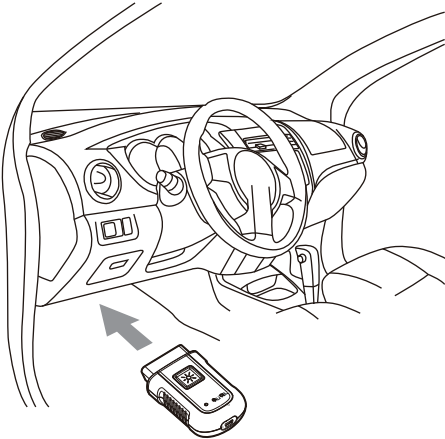


3. Vehicle LED – flashes green when communicating with the vehicle's system
4. Connection Mode LED – illuminates solid green when the device is properly connected with the Display Tablet or PC via the USB cable, or illuminates solid blue via wireless BT connection
5. USB Port
6. Vehicle Data Connector (16-pin)



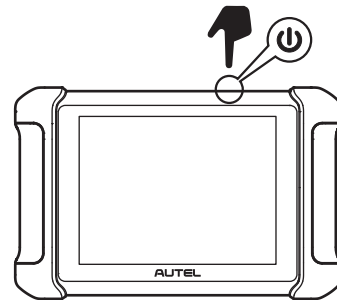
**IMPORTANT:** Before operating or maintaining this unit, please read these instructions carefully. Pay extra attention to the safety warnings and precautions. Use this unit correctly and properly. Failure to do so may cause damage and/or personal injury and will void the product warranty.

1



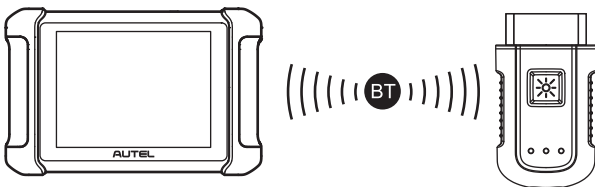
Insert the Vehicle Data Connector on the MaxiVCI V100 into the vehicle's DLC, which is generally located under the vehicle dash.

2



Make sure the Display Tablet has sufficient battery or is connected to the DC power supply. Power up the Display Tablet.

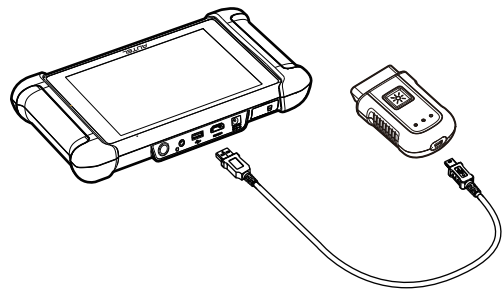
3



Pair up the Display Tablet with the MaxiVCI V100 via wireless BT to establish a communication link.

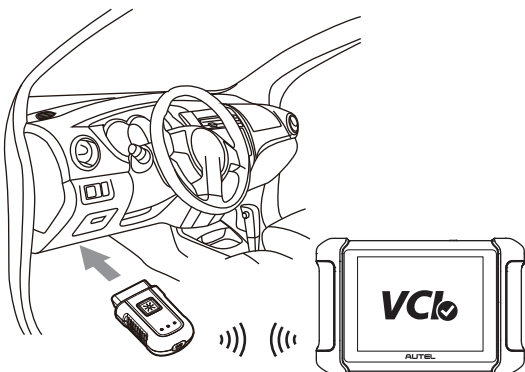
**NOTE:** The Display Tablet and the MaxiVCI V100 are configured to automatically synchronize with each other for first use, so there is no need to pair up.

OR



Or, connect the Display Tablet and MaxiVCI V100 using the USB cable.

4



When the MaxiVCI V100 is properly connected to the vehicle and the Display Tablet, the VCI status button at the bottom bar on the display screen shows a green check mark at the corner. This indicates the platform is ready to start vehicle diagnosis.

5



Your MaxiCOM MK906BT is now ready for use as a diagnostic device.

Tap Update to view and update all available vehicle programs.